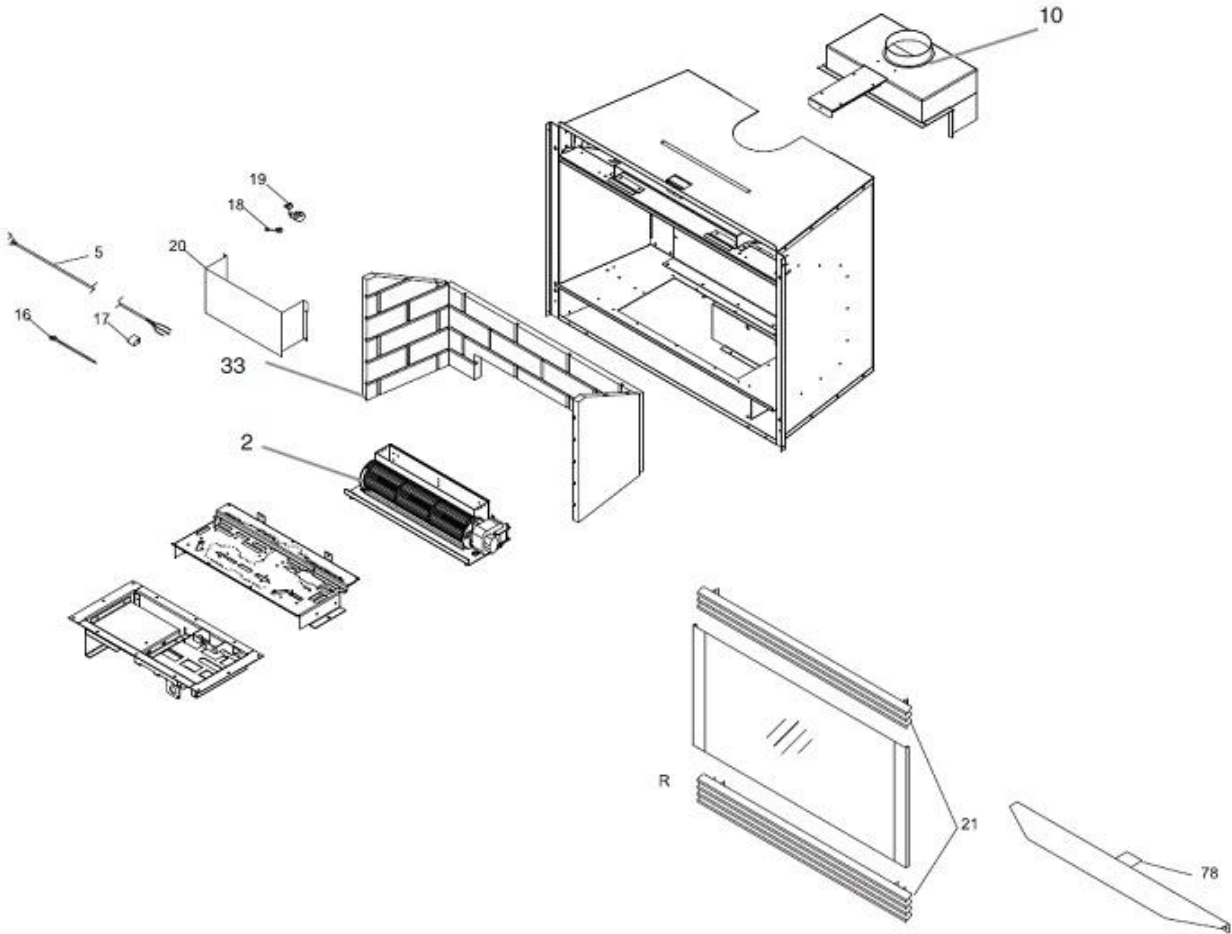


Regency U31-3 B-Vent Insert Parts List

## Main Assembly

Part #	Description	Part #	Description
1) 400-011	Fan Opening Cover	34) *	Brick Panel - Left Side
2) 911-071/P	Fan Motor (120 V)	35) *	Brick Panel - Right Side
5) 910-750	Power Cord (120 V)	36) 400-090	Brick Clips
910-752	Wire Harness (intermediate)	78) 410-920	Zero Clearance Ashlip
6) *	Thermodisc cover	410-905	Zero Clearance Kit
7) *	Thermodisc bracket	404-969	Conversion to LP Kit
8) 910-142	Thermodisc-Fan Auto ON/OFF	919-099	Manual
10) *	Drafthood Assembly		
11) *	Spill Switch Bracket		*Not available as a replacement part.
12) 910-220	Spill Switch		
13) *	Levelling Bolts 5/16 x 3 Hex Head		
16) *	Cable Tie		
17) *	Wire Holder Clip		
18) *	Strain Relief		
19) *	Grommet for Power Cord		
20) 400-024	Air Channel		
21) 402-922	Flush Louvers (Set) - Gold/Black		
402-920	Flush Louvers (Set) - Black		
402-924	Flush Louvers (Set) - Steel/Black		
33) 404-901	Brick Panel Set - Standard Brown		
404-902	Brick Panel Set - Standard Red		
*	Brick Panel - Back		



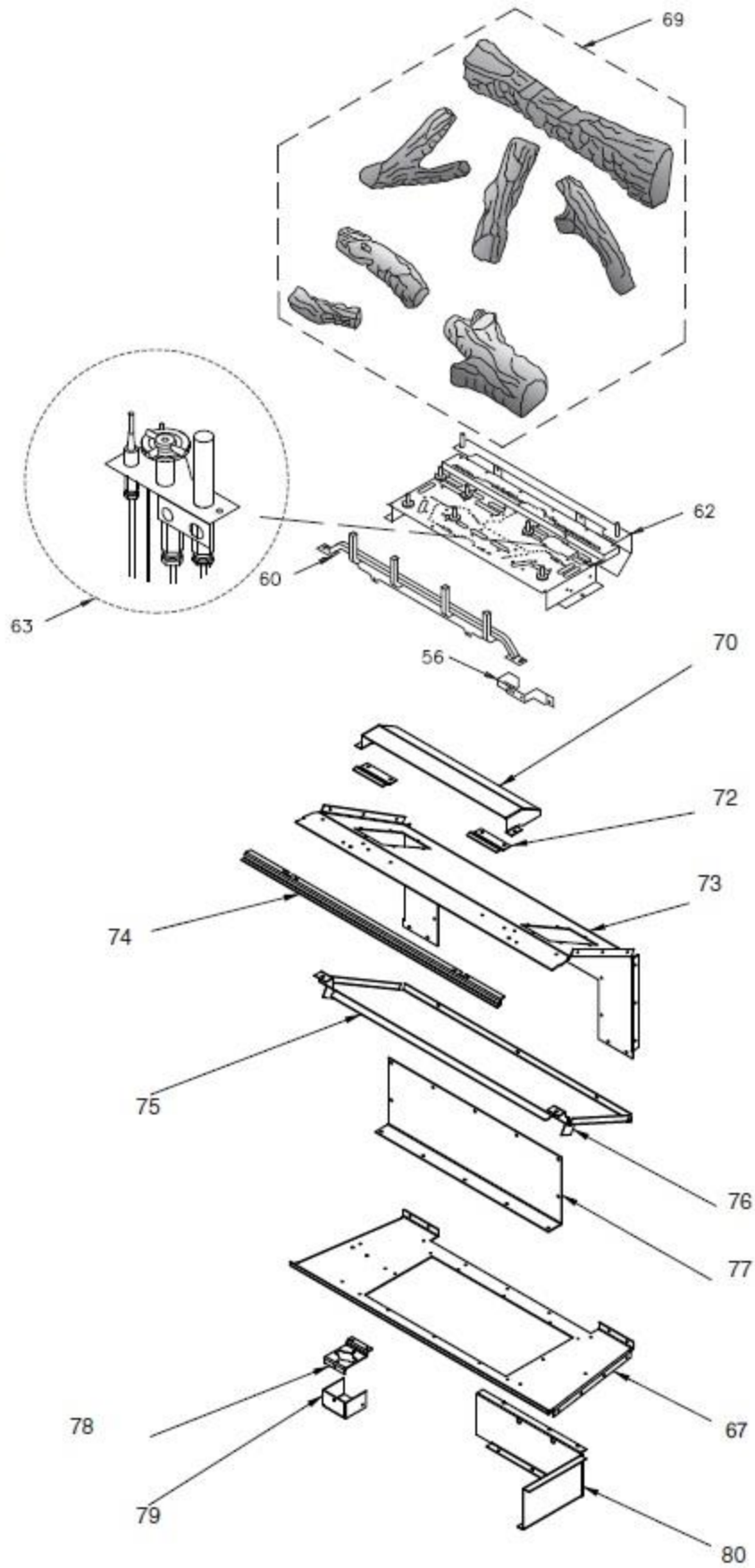
Woodman's Parts Plus  
[www.woodmanspartsplus.com](http://www.woodmanspartsplus.com)

	<b>Part #</b>	<b>Description</b>
	404-574/P	Valve Assembly - NG
	404-576/P	Valve Assembly - LP
52)	910-568	SIT 820 Valve -NG/LP**
53)	910-190	Piezo Ignitor and nut
54)	*	Valve Heat Shield
56)	*	Pilot Bracket
57)	904-240	Burner Orifice Nat. Gas #37
	904-593	Burner Orifice Nat. Gas #40 (High Altitude)
	904-390	Burner Orifice LP # 52
	904-345	Burner Orifice Nat. Gas #53 (High Altitude)
60)	402-526	Grate Assembly
62)	404-525	Burner Assembly NG/LP
63)	910-048	Pilot Assembly (NG) - 4 flame convertible top
	910-049	Pilot Assembly (LP) - 4 flame convertible top
67)	*	Firebox Base
69)	402-935	Log Set
	402-572	Ember Package
70)	*	Air Channel
72)	*	Glass Trim Retainer
73)	*	Firebox back and top
74)	*	Glass Gasket Retainer
75)	*	Firebox Baffle
76)	400-090	Brick Clip
77)	*	Fan Access Plate
78)	*	Thermodisc Bracket
79)	*	Thermodisc cover plate
80)	*	Fan Shield

\*Not available as a replacement part.

\*\*Not Shown

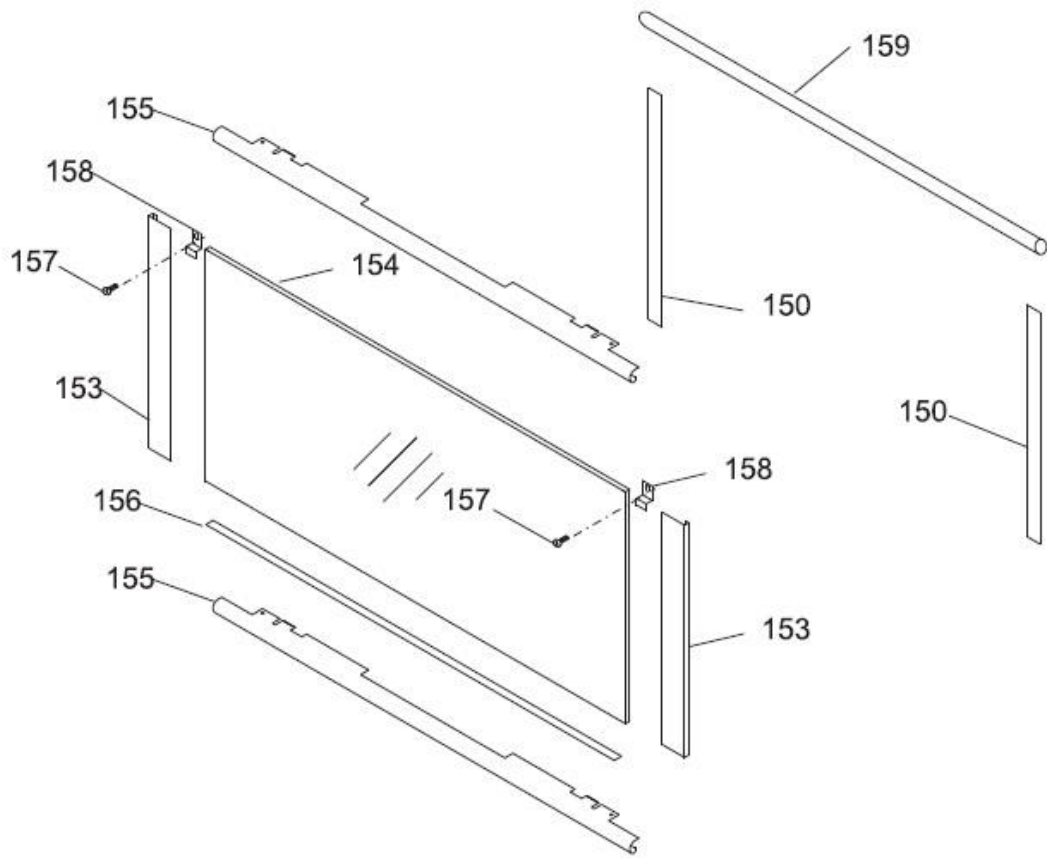
Woodman's Parts Plus  
[www.woodmanspartsplus.com](http://www.woodmanspartsplus.com)



## Flush Front Assembly

Part #	Description
Flush Door	
402-515/P	Complete Flush Front
150) 936-243	Door Frame Gasket - 7/8"
153) *	Glass Side Trim
154) *	Flush Glass
155) 402-046	Glass Support Trim - Black
156) 936-238	Flush Glass Gasket
157) *	Screw #10-24 x 1/2"
158) 402-033	Flush Glass Bracket
159) 936-233	3/4" Rope Gasket

\*Not available as a replacement part.

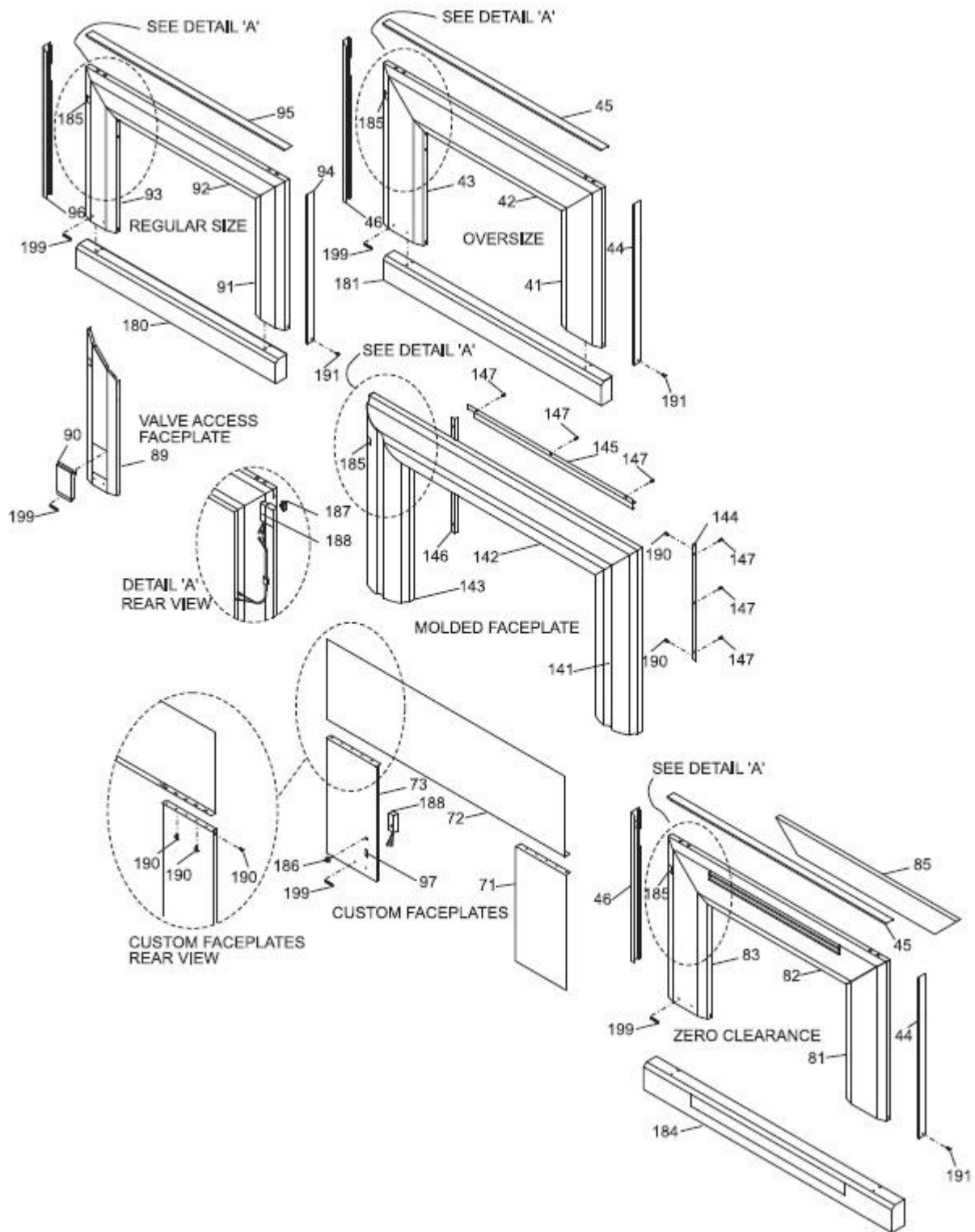


FLUSH FRONT

**Woodman's Parts Plus**  
[www.woodmanspartsplus.com](http://www.woodmanspartsplus.com)

Part #	Description
<b>402-919</b>	<b>Complete Faceplate (Set) with Black Trim - Oversize</b>
41) *	Faceplate Side Right - Oversize
42) *	Faceplate Top - Oversize
43) *	Faceplate Side Left Assy-Oversize
<b>402-534</b>	<b>Trims Pkg. - Oversize, Zero Clearance</b>
44) *	Faceplate Trim Right - Oversize
45) *	Faceplate Trim Top - Oversize
46) *	Faceplate Trim Left Assy - Oversize
<b>400-917</b>	<b>Complete Custom Faceplate (Set)</b>
71) *	Faceplate Side Right - Custom
72) *	Faceplate Top - Custom
73) *	Faceplate Side Left - Custom
<b>412-906</b>	<b>Complete Faceplate (Set) with Black Trim - Zero Clearance</b>
81) *	Faceplate Side Right - Zero Clearance
82) *	Faceplate Top - Zero Clearance
83) *	Faceplate Side Left Assy-Zero Clearance
<b>402-534</b>	<b>Trims Pkg. - Zero Clearance</b>
85) 836-203	Thermal Insulation - Top
<b>400-939</b>	<b>Valve Access Faceplate</b>
89) *	Faceplate Side Left Assy
90) *	Cover Plate - Valve Access
<b>402-918</b>	<b>Complete Faceplate (Set) with Black Trim - Standard</b>
91) *	Faceplate Side Right - Standard
92) *	Faceplate Top - Standard
93) *	Faceplate Side Left Assy - Standard
<b>402-532</b>	<b>Trims Pkg. - Standard</b>
94) *	Faceplate Trim Right - Standard
95) *	Faceplate Trim Top - Standard
96) *	Faceplate Trim Left Assy - Standard
<b>402-933</b>	<b>Molded Faceplate Complete (Set)</b>
141) *	Faceplate Side Right - Molded
142) *	Faceplate Top - Molded
143) *	Faceplate Side Left Assy -Molded
144) 402-044	Mounting Bracket - Right
145) 402-045	Filler Bracket
146) 402-043	Mounting Bracket - Left
147) *	Screw - #8 x 3/4" Pan Head
<b>400-950</b>	<b>Hearth Trim 1" - Standard</b>
<b>320-940</b>	<b>Hearth Trim 1" - Oversize</b>
<b>400-926</b>	<b>Hearth Trim 2" - Standard</b>
<b>320-942</b>	<b>Hearth Trim 2" - Oversize</b>
180) <b>400-928</b>	<b>Hearth Trim 4" - Standard</b>
181) <b>320-944</b>	<b>Hearth Trim 4" - Oversize</b>
<b>400-959</b>	<b>Hearth Trim 6" - Standard</b>
<b>320-946</b>	<b>Hearth Trim 6" - Oversize</b>
184) <b>410-525/01</b>	<b>Hearth Trim 4" - Zero Clearance</b>
185) 904-569	Fan Speed Control Knob (120 V)
186) 904-586	Speed Control Knob c/w Spring Clip
187) 910-246	Burner ON/OFF Switch
188) 910-330	Fan Speed Control (120 V)
190) *	Screw #8 x 1/2" Black self-tapping
191) *	Screw #8 x 1/2" Brass self-tapping
199) 948-220	Hampton Logo Plate

\*Not available as a replacement part.



## LOW PROFILE FACEPLATE

Part #	403-954	Description
1)	*	Back plate Assembly
2)	*	Bottom Louver
3)	*	Right mounting bracket
4)	*	Left mounting bracket
5)	*	Front Frame

